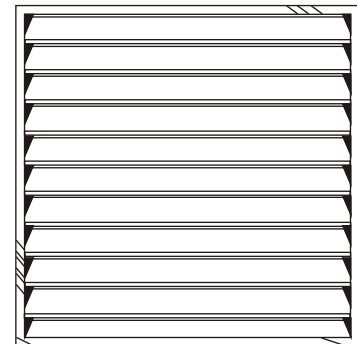
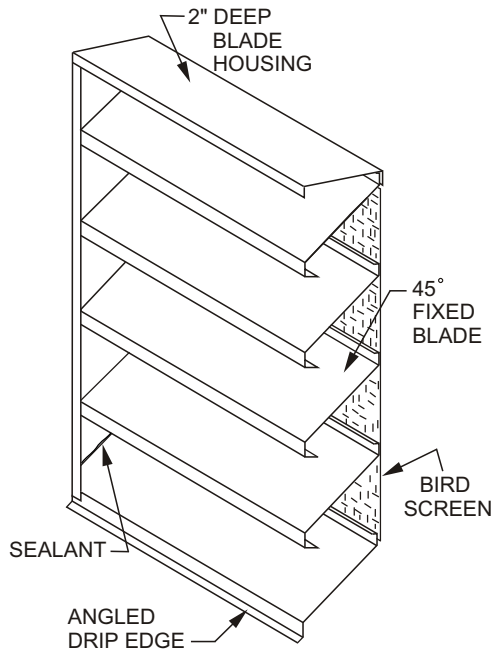




PRODUCT DATA

FIXED-BLADE LOUVER VENT

Fixed-blade ventilating product designed for vertical wall installation. Allows air movement and combustion release at attic and wall space. Standard product includes integral bird screen.



RECTANGULAR LOUVER VENT CHART

STYLE NO.	VENT WIDTH	VENT LENGTH	TOTAL BLADES	FREE AREA*
LV1409	14"	9"	3	33
LV1412	14"	12"	4	54
LV1418	14"	18"	6	86
LV1424	14"	24"	8	119
LV1430	14"	30"	10	141
LV1436	14"	36"	12	172
LV1824	18"	24"	8	169

* Square inches, measured in accordance with AMCA Standard-500 and HVI-922. Calculations shown are based on (WR) weather resistant blade profile, including bird screen..

STANDARD MATERIALS

- ASTM A653/A653M -G90 hot dipped galvanized steel, 28GA and 26GA.
- ASTM D9092 - mill phosphatized coating for painting.
- ASTM B370 - Sheet copper, 16oz and 20oz.
- .025 x .025 hot dipped galvanized 23GA wire bird screen.
- .017" x .25"SWD x .50"LWD Flat-Expanded bird screen, copper or galvanized steel.

TYPICAL BLADE CONFIGURATIONS	MOUNTING FLANGE VARIATIONS
(WR) WEATHER RESISTANT	(CM) CHANNEL MOUNT
(SR) STORM RESISTANT	(FOB) FLANGE ON BACK
(DR) DRAINABLE	(FOF) FLANGE ON FRONT
	(P/G) STUCCO FLANGE
	(FFOF) FINISHED FLANGE ON FRONT

INSTALLATION

Before install, ensure that the substrate is uniform and even. Do not install venting products on uneven substrate.

Installation shall be made in accordance with recognized sheet metal practices. SMACNA Architectural Sheet Metal Manual 6th Edition specifications shall be used as a guide and basis for detail whenever applicable.

C & J Metal Products' venting products can be nailed or riveted using conventional hand or power tools. Flashings shall be properly fastened to the substrate by means of wood or metal screws. When fastening dissimilar metals the use of stainless steel is recommended. Use of neoprene washers or similar gasketing material is acceptable.

NOTE: Recommended use of this product is for exhaust of warm dry or slightly moist air only. This product is not intended for venting or exhaust grease or liquid.

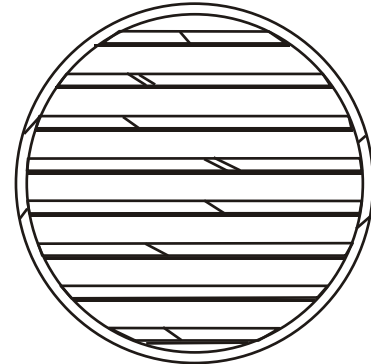
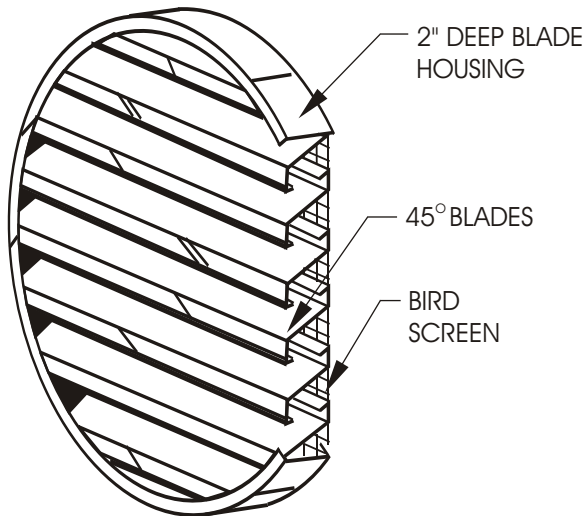
07-06



PRODUCT DATA

ROUND LOUVER VENT

Fixed-blade ventilating product designed for vertical wall installation. Allows air movement and combustion release at attic and wall space. Standard product includes integral bird screen.



ROUND LOUVER VENT CHART

STYLE NO.	VENT WIDTH	VENT LENGTH	TOTAL BLADES	FREE AREA*
LV12RD	12"	12"	4	32
LV18RD	18"	18"	6	85
LV24RD	24"	24"	8	166

* Square inches, measured in accordance with AMCA Standard-500 and HVI-922. Calculations shown are based on (WR) weather resistant blade profile, including bird screen..

STANDARD MATERIALS

ASTM A653/A653M -G90 hot dipped galvanized steel, 28GA and 26GA.
ASTM D9092 - mill phosphatized coating for painting.
ASTM B370 - Sheet copper, 16oz and 20oz.
.025 x .025 hot dipped galvanized 23GA wire bird screen.
.017" x .25"SWD x .50"LWD Flat-Expanded bird screen, copper or galvanized steel.

INSTALLATION

Before install, ensure that the substrate is uniform and even. Do not install venting products on uneven substrate.

Installation shall be made in accordance with recognized sheet metal practices. SMACNA Architectural Sheet Metal Manual 6th Edition specifications shall be used as a guide and basis for detail whenever applicable.

C & J Metal Products' venting products can be nailed or riveted using conventional hand or power tools. Flashings shall be properly fastened to the substrate by means of wood or metal screws. When fastening dissimilar metals the use of stainless steel is recommended. Use of neoprene washers or similar gasketing material is acceptable.

NOTE: Recommended use of this product is for exhaust of warm dry or slightly moist air only. This product is not intended for venting or exhaust grease or liquid.

