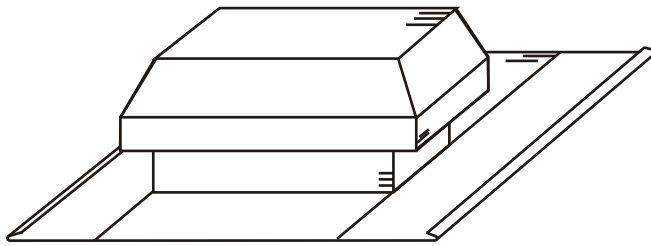


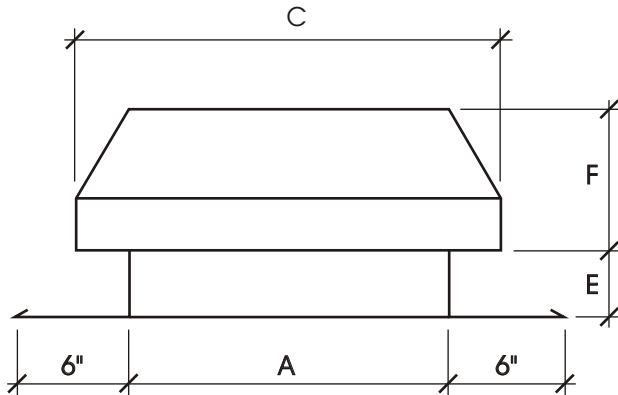


## PRODUCT DATA

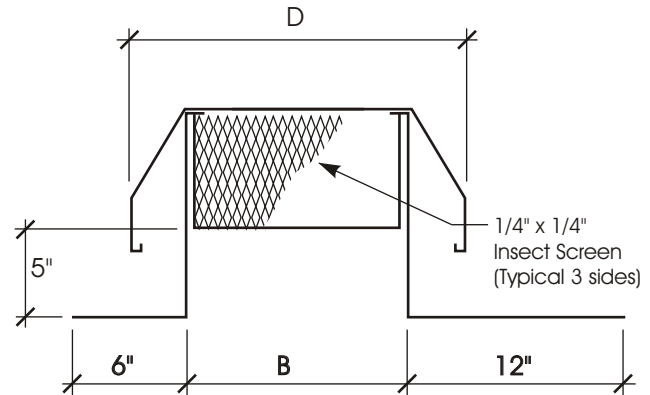
# CALIFORNIA AIR VENT



Mansard hooded roof vent designed as an alternate to standard roof dormers. Extra tall body protects against wind-driven rain, eliminates the need for secondary sub flashing and fits both flat as well as steep slope roofs.



FRONT VIEW



SIDE SECTION VIEW

STYLE NO.	A	B	C	D	E	F	NFVA*
AIC60	12"	8"	16"	12"	3 1/2"	5"	58 S.I.
AIC150	17"	12"	22 1/2"	17 1/2"	3 1/2"	7 1/2"	148 S.I.

\*(Net Free Ventilation Area) calculated in inches including 1/4" x 1/4" mesh insect screen

### STANDARD MATERIALS

ASTM A653/A653M -G90 hot dipped galvanized steel, 26GA standard.

ASTM A653/A653M -G90 hot dipped galvanized steel, 26GA standard, ASTM D-2092-95 mill phosphatized.

ASTM B370/B370M -Copper Sheet and Strip for Building Construction, Alloy 110 16 ounce natural finish.

### INSTALLATION

Installation shall be in accordance with recognized sheet metal practices and in conjunction with the following:

SMACNA - Architectural Sheet Metal Manual, 5th Edition.

SMACNA - Residential Sheet Metal Guidelines, 1st Edition.

NRCA - Roofing and Waterproofing Manual, 5th Edition.

Before installing, ensure that the substrate is uniform and even. Do not install C & J Sheet Metal Ventilating Products on an uneven surface.

Ventilating products manufactured by C & J Metal Products can be nailed or riveted using conventional hand or power tools. Flashings shall be properly fastened to the substrate by means wood or metal screws. When fastening dissimilar metals the use of stainless steel is recommended. Use of neoprene washers or similar gasketing material is acceptable.

**NOTE:** Recommended use of this product is for exhaust of warm dry or slightly moist air only. Do not use this product to vent or exhaust grease or liquid.

11-03