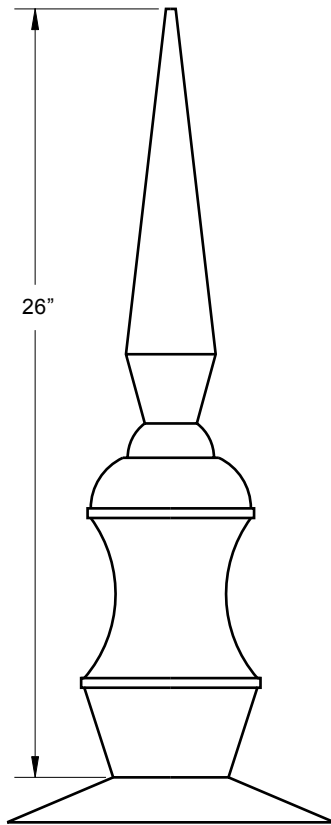


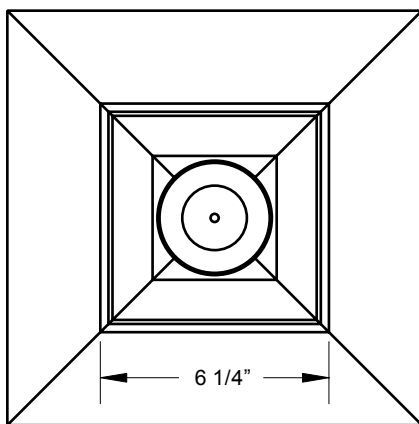


## CAROUSAL FINIAL

*Finials created to compliment the building's design through appearance and performance, C&J offers an array of styles and finishes making it ideal for achieving the look and feel you want. Designed with the traditional style of historical influences throughout America.*



ELEVATION VIEW



PLAN VIEW

### MATERIAL

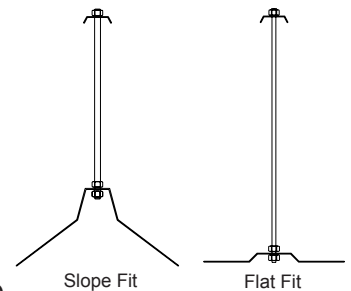
- COPPER
- GALV. STEEL
- LEAD/COPPER
- ZINC
- ALUMINUM

### FINISH

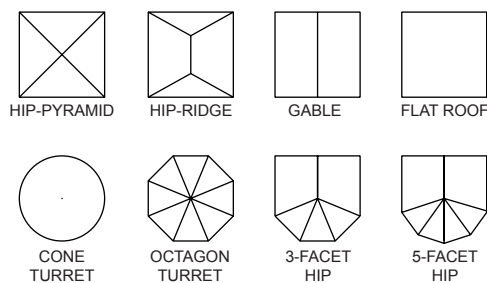
- NATURAL MILL
- PATINA ON COPPER
- PAINTED
- ANTIQUED
- PAINT-GRIP STEEL

### MOUNTING BRACKET

- ROOF SLOPE FIT  
Specify Slope: \_\_\_\_\_
- FLAT SURFACE FIT
- LIGHTNING GROUNDING  
CABLE CLAMP
- NO BRACKETING REQUIRED  
(Typically Finials less than 25" tall,  
bracket is optional)



### COMMON ROOF SHAPES



### FIT

- HIP PYRAMID
- HIP-RIDGE
- GABLE
- FLAT
- CONE TURRET
- OCTAGON TURRET
- 3-FACET HIP
- 5-FACET HIP
- OTHER

Standard dimensions shown. Other sizes available upon request.