

THE METROPOLITAN DORMER

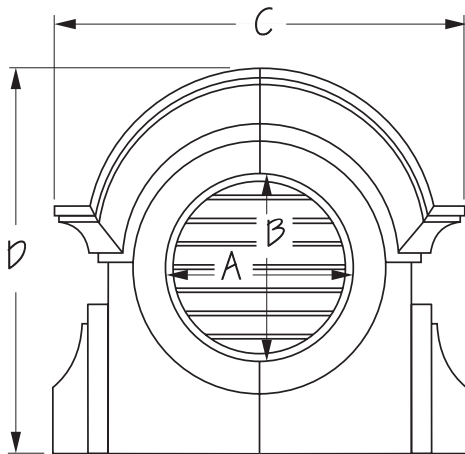
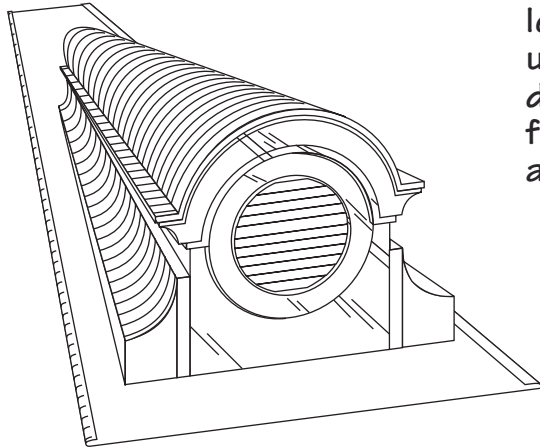
800-500-8660

562-634-3101

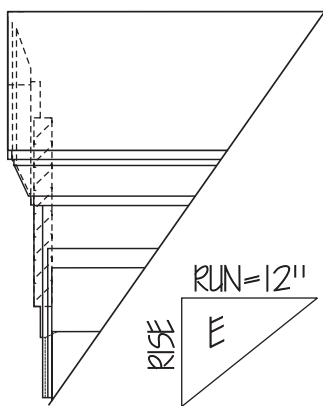
FAX:562-634-8823

WWW.CJMetals.com

Old world decorative charm is hand-crafted into our Metropolitan Dormer. Available in copper, lead-coated copper or galvanized steel, each unit is finely crafted for a proper fit with all design standards. All dormers are fully functional as ventilating products or attractive architectural elements.



FRONT VIEW



SECTION VIEW

Fully soldered 6" wide roof flanges (not shown) are standard.

NOTE: Free air ventilation requirements (if required) relate to dimensions A & B. Be sure to specify free air requirements if necessary.

PRODUCT SPECIFICATIONS:

- A** (Vent Width) _____ In.
- B** (Vent Height) _____ In.
- C** (Body Width) _____ In.
- D** (Body Height) _____ In.
- E** (Roof Pitch) _____ In.

AVAILABLE MATERIALS:
(CHECK ONE)

- **COPPER**
ASTM B370, ALLOY 110,
BURNISHED SATIN FINISH
- **LEAD-COATED COPPER**
ASTM B101, MILL FINISH
- **GALVANIZED STEEL**
ASTM A653 26GA,
ASTM D2092 MILL
PHOSPHATIZED FINISH
READY FOR PAINT

INSTALLATION:

Center roof dormer over roof opening and fasten to substrate. Use of sub flashing is recommended.

OTHER INFORMATION:

Roof opening should be equal to or greater than ventilation requirements.