

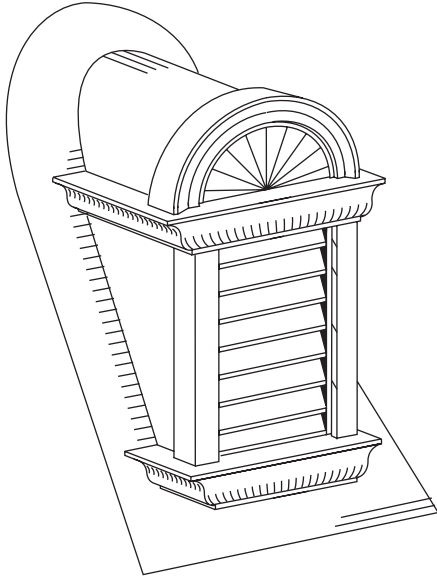
**THE MONTECELLO DORMER**

800-500-8660

562-634-3101

FAX:562-634-8823

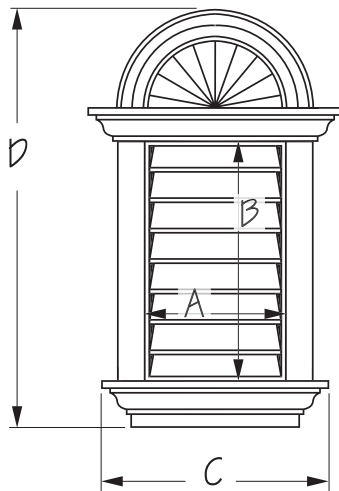
WWW.CJMetals.com



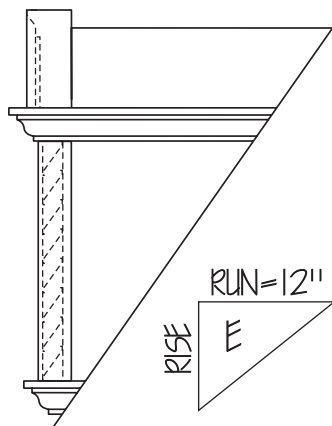
The classic Palladian arch and cornice details of the Montecello Dormer are hand-crafted and available in copper, lead-coated copper or galvanized steel. Each unit is finely crafted for a proper fit with all design standards. All dormers are fully functional as ventilating products or attractive architectural elements.

**PRODUCT SPECIFICATIONS:**

- A** (Vent Width) \_\_\_\_\_ In.
- B** (Vent Height) \_\_\_\_\_ In.
- C** (Body Width) \_\_\_\_\_ In.
- D** (Body Height) \_\_\_\_\_ In.
- E** (Roof Pitch) \_\_\_\_\_ In.



FRONT VIEW



SECTION VIEW

**AVAILABLE MATERIALS:**  
(CHECK ONE)

- COPPER**  
ASTM B370, ALLOY 110,  
BURNISHED SATIN FINISH
- LEAD-COATED COPPER**  
ASTM B101, MILL FINISH
- GALVANIZED STEEL**  
ASTM A653 26GA,  
ASTM D2092 MILL  
PHOSPHATIZED FINISH  
READY FOR PAINT

**INSTALLATION:**

Center roof dormer over roof opening and fasten to substrate. Use of sub flashing is recommended.

**OTHER INFORMATION:**

Roof opening should be equal to or greater than ventilation requirements.

Fully soldered 6" wide roof flanges (not shown) are standard.

**NOTE:** Free air ventilation requirements (if required) relate to dimensions A & B. Be sure to specify free air requirements if necessary.