

THE PRESIDENTIAL DORMER



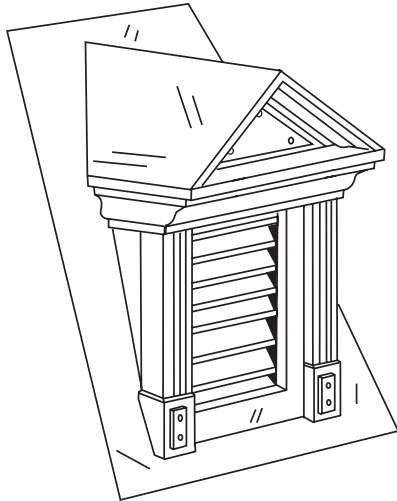
800-500-8660

562-634-3101

FAX:562-634-8823

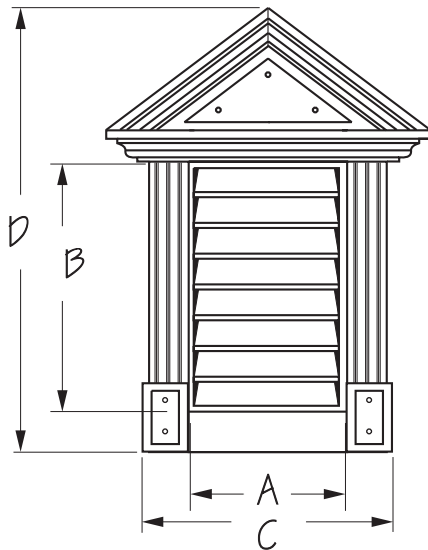
WWW.CJMetals.com

The classic pediment styling of the Presidential Dormer is hand-crafted and available in copper, lead-coated copper or galvanized steel. Each unit is finely crafted for a proper fit with all design standards. All dormers are fully functional as ventilating products or attractive architectural elements.

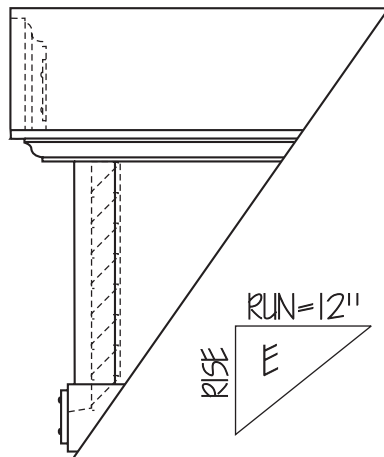


PRODUCT SPECIFICATIONS:

- A** (Vent Width) _____ In.
- B** (Vent Height) _____ In.
- C** (Body Width) _____ In.
- D** (Body Height) _____ In.
- E** (Roof Pitch) _____ In.



FRONT VIEW



SECTION VIEW

AVAILABLE MATERIALS:
(CHECK ONE)

- **COPPER**
ASTM B370, ALLOY 110,
BURNISHED SATIN FINISH
- **LEAD-COATED COPPER**
ASTM B101, MILL FINISH
- **GALVANIZED STEEL**
ASTM A653 26GA,
ASTM D2092 MILL
PHOSPHATIZED FINISH
READY FOR PAINT

INSTALLATION:

Center roof dormer over roof opening and fasten to substrate. Use of sub flashing is recommended.

OTHER INFORMATION:

Roof opening should be equal to or greater than ventilation requirements.

Fully soldered 6" wide roof flanges (not shown) are standard.

NOTE: Free air ventilation requirements (if required) relate to dimensions A & B. Be sure to specify free air requirements if necessary.