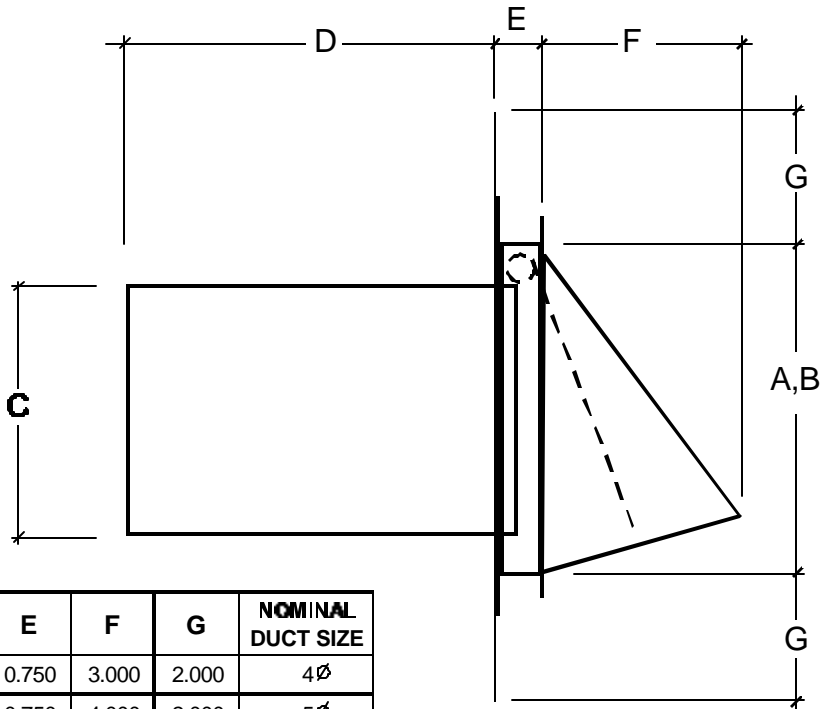
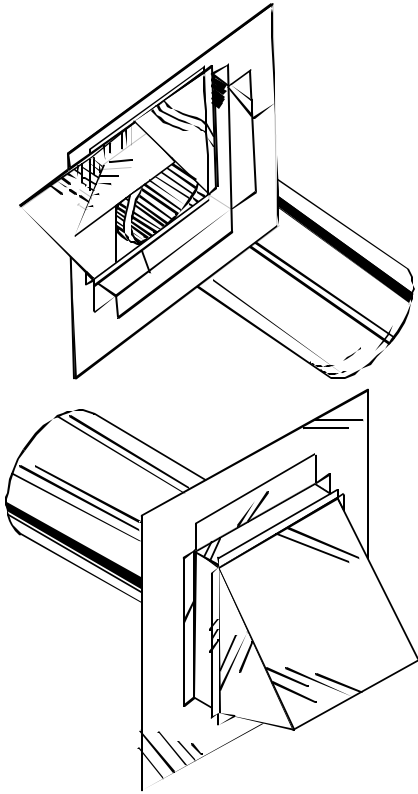




PRODUCT DATA

DRYER VENT WIDE FLANGE

Hooded dryer and exhaust vent designed for side wall applications. Built-in concealed damper stays closed when not in use. All steel construction assures lasting performance and durability.



STYLE NO.	A Wide	B Height	C	D	E	F	G	NOMINAL DUCT SIZE
DV0004	5.000	5.125	4.000	7.500	0.750	3.000	2.000	4 ϕ
DV0005	6.000	6.250	5.000	7.500	0.750	4.000	2.000	5 ϕ
DV0006	7.000	7.250	6.000	7.500	0.750	5.000	2.000	6 ϕ
DV0007	8.000	8.124	7.000	7.500	0.750	6.000	2.000	7 ϕ
DV0008	9.000	9.250	8.000	7.500	0.750	7.000	2.000	8 ϕ
DV1003	11.000	4.000	10" X 3"	7.500	0.750	4.250	2.000	3 x 10

(ALL DIMENSIONS IN INCHES)

STANDARD MATERIALS

ASTM A653/A653M -G90 hot dipped galvanized steel, 28GA standard.

ASTM A653/A653M -G90 hot dipped galvanized steel, 28GA standard, ASTM D-2092-95 mill phosphatized

INSTALLATION

Installation shall be in accordance with recognized sheet metal practices per SMACNA Architectural Sheet Metal Manual 5th Edition. Before installing, ensure that the substrate is uniform and even. Do not install C & J Sheet Metal Ventilating Products on an uneven surface.

Affix dryer vent directly to structural members using galvanized fasteners one half inch in at each corner of the nailing flange. Apply moisture retardant over nailing flange in accordance with standard lathing practice.

NOTE: Recommended use of this product is for exhaust of warm dry or slightly moist air only. Do not use this product to vent or exhaust grease or liquid.

Jan-00

C & J METAL PRODUCTS INC

Serving the Building Industry Since 1946

6925 DOWNEY AVENUE LONG BEACH CA 90805
800-500-8660 • 562-634-3101 • 562-634-8823FAX
INTERNET: www.CJMetals.com