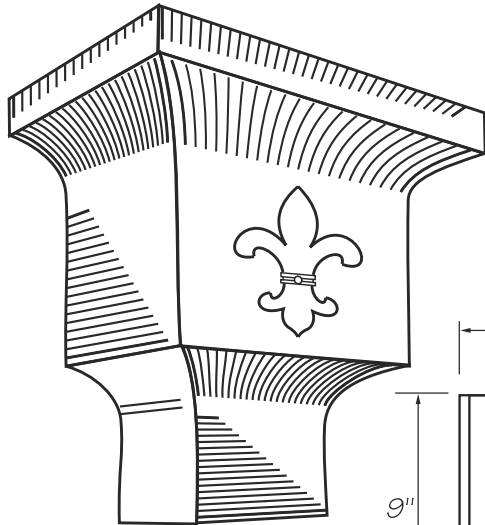
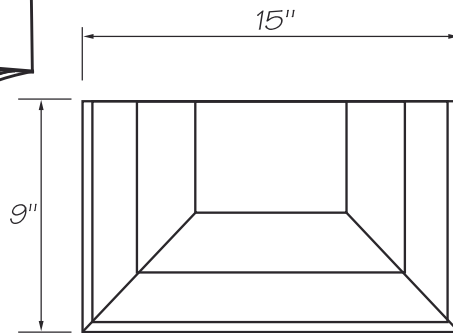


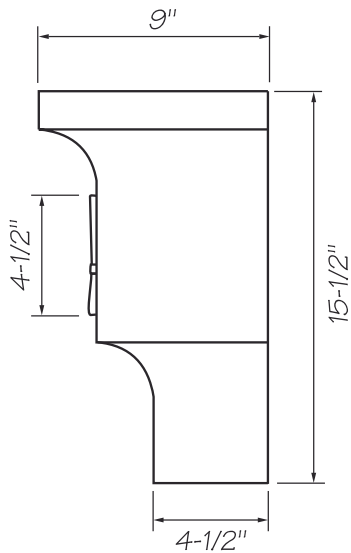
THE CONCORD LEADERHEAD



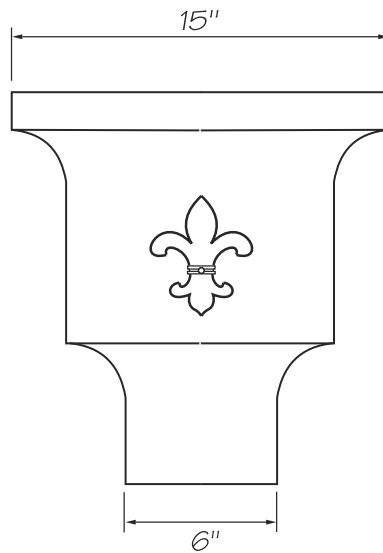
Our leaderheads are handmade to order and available in copper, lead-coated copper or galvanized steel. Each unit is fully soldered (no rivets). Included is an outlet to your size requirements or a solid bottom.



TOP VIEW



SIDE VIEW



FRONT VIEW

NOTE: Be sure to specify outlet size when ordering.

PRODUCT SPECIFICATIONS:

OUTLET SIZING (CHECK ONE)

- 2" RND DOWNSPOUT
- 3" RND DOWNSPOUT
- 4" RND DOWNSPOUT
- 2" x 3" REC DOWNSPOUT
- 3" x 4" REC DOWNSPOUT
- 4" x 4" REC DOWNSPOUT
- 4" x 6" REC DOWNSPOUT
- BLANK BOTTOM PLATE

AVAILABLE MATERIALS:

(CHECK ONE)

COPPER

ASTM B370, ALLOY 110,
BURNISHED SATIN FINISH

LEAD-COATED COPPER

ASTM B101, MILL FINISH

GALVANIZED STEEL

ASTM A653 26GA,
ASTM D2092 MILL
PHOSPHATIZED FINISH
READY FOR PAINT

INSTALLATION:

OTHER INFORMATION:

CUSTOM SIZES AVAILABLE
UPON REQUEST.