

ARCHITECTURAL SERIES

# THE GRESHAM LEADERHEAD



C&J  
METAL  
PRODUCTS, INC.

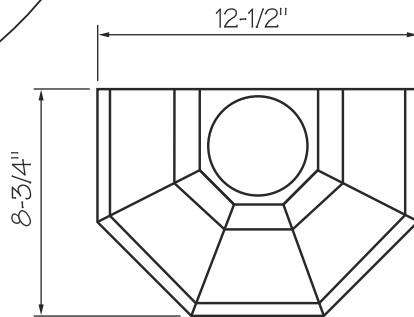
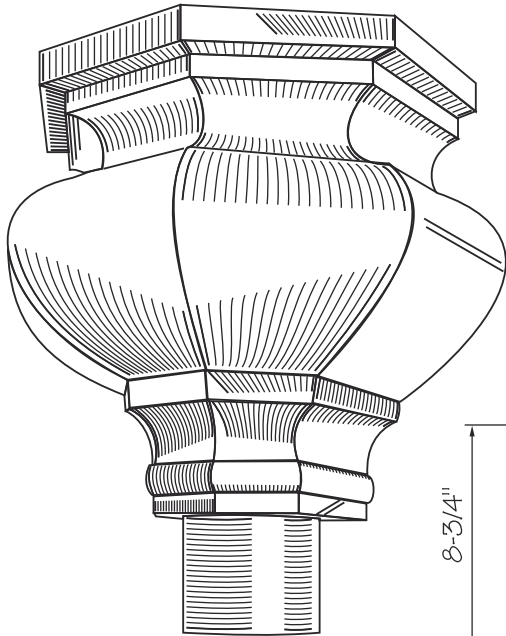
800-500-8660

562-634-3101

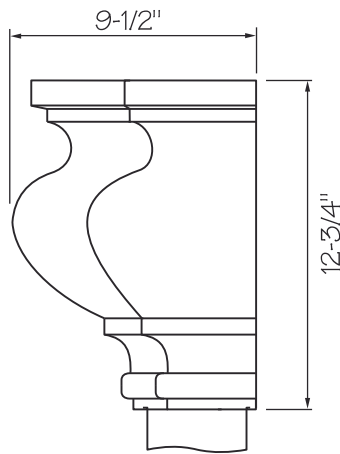
FAX:562-634-8823

WWW.CJMetals.com

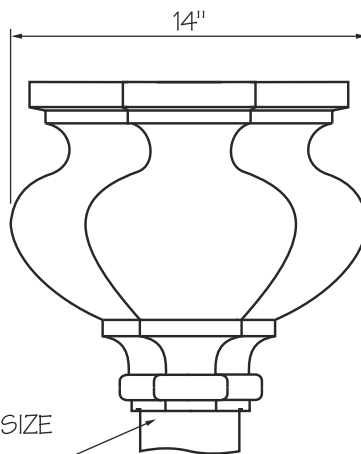
Our leaderheads are handmade to order and available in copper, lead-coated copper or galvanized steel. Each unit is fully soldered (no rivets). Included is an outlet to your size requirements or a solid bottom.



TOP VIEW



SIDE VIEW



FRONT VIEW

NOTE: Be sure to specify outlet size when ordering.

## PRODUCT SPECIFICATIONS:

OUTLET SIZING (CHECK ONE)

- 2" RND DOWNSPOUT
- 3" RND DOWNSPOUT
- 4" RND DOWNSPOUT
- 2" x 3" REC DOWNSPOUT
- 3" x 4" REC DOWNSPOUT
- 4" x 4" REC DOWNSPOUT
- BLANK BOTTOM PLATE

## AVAILABLE MATERIALS:

(CHECK ONE)

### COPPER

ASTM B370, ALLOY 110,  
BURNISHED SATIN FINISH

### LEAD-COATED COPPER

ASTM B101, MILL FINISH

### GALVANIZED STEEL

ASTM A653 26GA,  
ASTM D2092 MILL  
PHOSPHATIZED FINISH  
READY FOR PAINT

## INSTALLATION:

## OTHER INFORMATION:

CUSTOM SIZES AVAILABLE  
UPON REQUEST.