

THE MOLINO LEADERHEAD

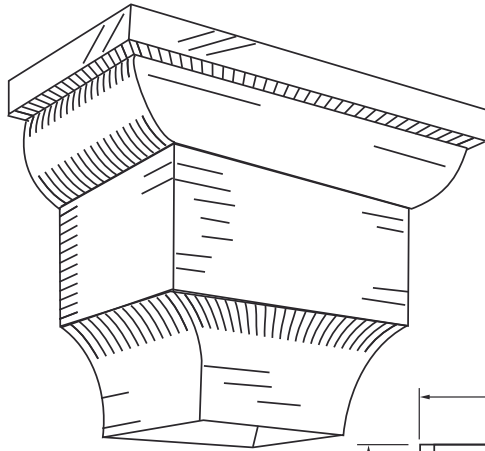


800-500-8660

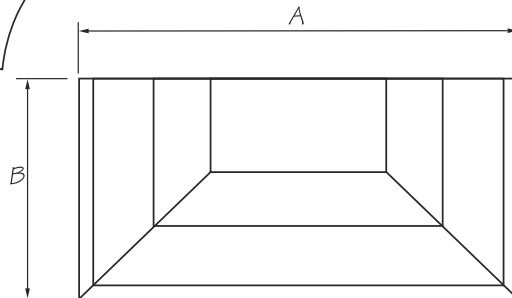
562-634-3101

FAX:562-634-8823

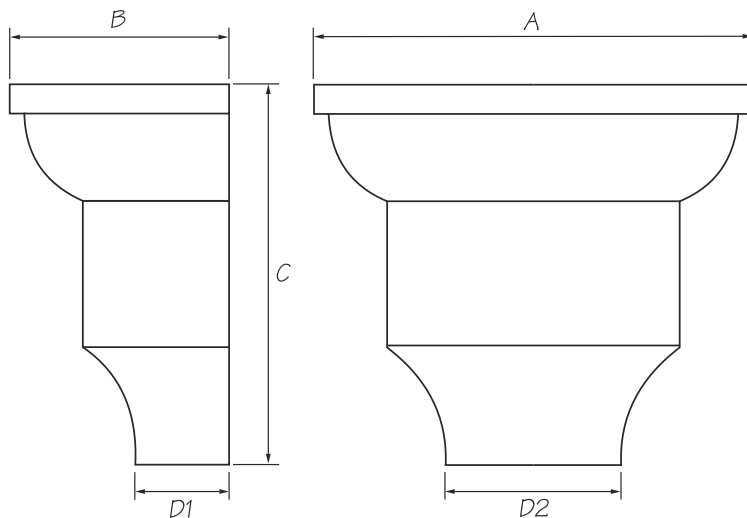
WWW.CJMetals.com



Our leaderheads are handmade to order and available in copper, lead-coated copper or galvanized steel. Each unit is fully soldered (no rivets). Included is an outlet to your size requirements or a solid bottom.



TOP VIEW



SIDE VIEW

FRONT VIEW

NOTE: Be sure to specify outlet size when ordering.

**PRODUCT SPECIFICATIONS:**

OUTLET SIZING (CHECK ONE)

- 2" RND DOWNSPOUT
- 3" RND DOWNSPOUT
- 4" RND DOWNSPOUT
- 2" x 3" REC DOWNSPOUT
- 3" x 4" REC DOWNSPOUT
- BLANK BOTTOM PLATE

**AVAILABLE MATERIALS:**

(CHECK ONE)

**COPPER**

ASTM B370, ALLOY 110,  
BURNISHED SATIN FINISH

**LEAD-COATED COPPER**

ASTM B101, MILL FINISH

**GALVANIZED STEEL**

ASTM A653 26GA,  
ASTM D2092 MILL  
PHOSPHATIZED FINISH  
READY FOR PAINT

**INSTALLATION:**

**OTHER INFORMATION:**

PATTERN SIZES (CHECK ONE)

	A	B	C	D1	D2
<input type="checkbox"/> ML1	15"	7 <sup>1</sup> / <sub>2</sub> "	13"	4"	6"
<input type="checkbox"/> ML2	15"	7 <sup>1</sup> / <sub>2</sub> "	13"	3"	6"
<input type="checkbox"/> ML3	12 <sup>1</sup> / <sub>2</sub> "	8"	11"	3 <sup>1</sup> / <sub>8</sub> "	3 <sup>3</sup> / <sub>8</sub> "
<input type="checkbox"/> ML4	9 <sup>1</sup> / <sub>2</sub> "	6"	9 <sup>1</sup> / <sub>2</sub> "	4 <sup>1</sup> / <sub>2</sub> "	3"
<input type="checkbox"/> ML5	13"	6 <sup>1</sup> / <sub>2</sub> "	11 <sup>3</sup> / <sub>8</sub> "	2"	4"