

THE MONARCH LEADERHEAD

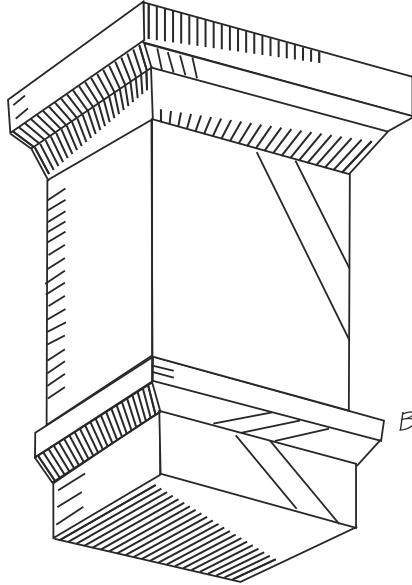


800-500-8660

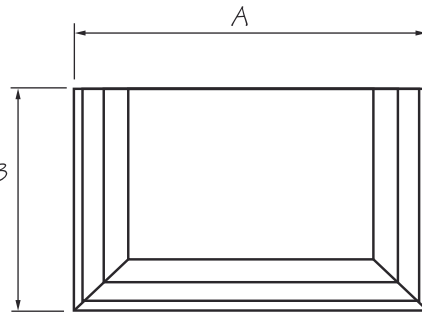
562-634-3101

FAX:562-634-8823

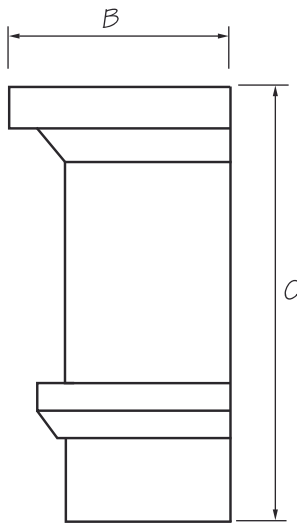
WWW.CJMetals.com



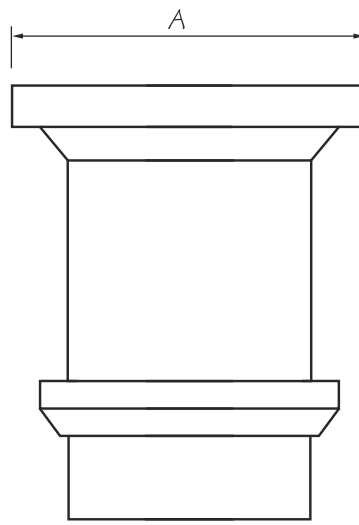
Our leaderheads are handmade to order and available in copper, lead-coated copper or galvanized steel. Each unit is fully soldered (no rivets). Included is an outlet to your size requirements or a solid bottom.



TOP VIEW



SIDE VIEW



FRONT VIEW

NOTE: Be sure to specify outlet size when ordering.

PRODUCT SPECIFICATIONS:

OUTLET SIZING (CHECK ONE)

- 2" RND DOWNSPOUT
- 3" RND DOWNSPOUT
- 4" RND DOWNSPOUT
- 5" RND DOWNSPOUT
- 2" x 3" REC DOWNSPOUT
- 3" x 4" REC DOWNSPOUT
- 4" x 4" REC DOWNSPOUT
- 4" x 6" REC DOWNSPOUT
- BLANK BOTTOM PLATE

AVAILABLE MATERIALS:

(CHECK ONE)

- COPPER**
ASTM B370, ALLOY 110,
BURNISHED SATIN FINISH
- LEAD-COATED COPPER**
ASTM B101, MILL FINISH
- GALVANIZED STEEL**
ASTM A653 26GA,
ASTM D2092 MILL
PHOSPHATIZED FINISH
READY FOR PAINT

INSTALLATION:

OTHER INFORMATION:

PATTERN SIZES (CHECK ONE)

	A	B	C	D1	D2
<input type="checkbox"/> M1	13"	8"	14"	6"	9"
<input type="checkbox"/> M2	9"	5 ³ / ₄ "	13 ³ / ₈ "	3 ³ / ₄ "	5 ¹ / ₄ "