

THE OLD WORLD II LEADERHEAD

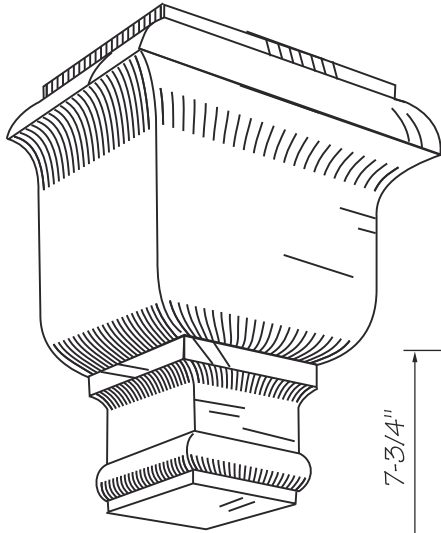


800-500-8660

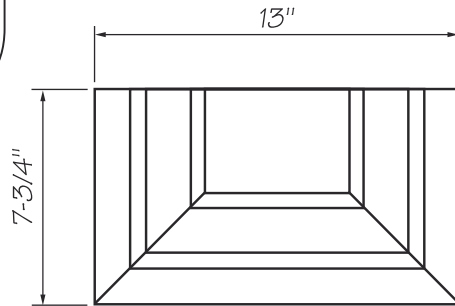
562-634-3101

FAX:562-634-8823

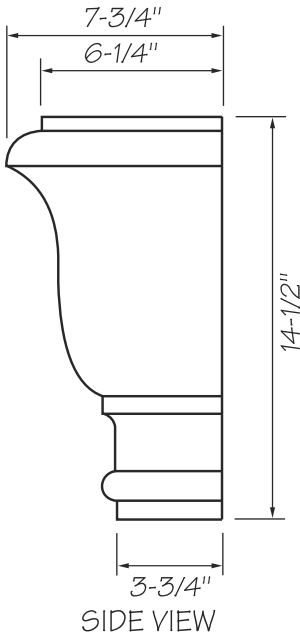
WWW.CJMetals.com



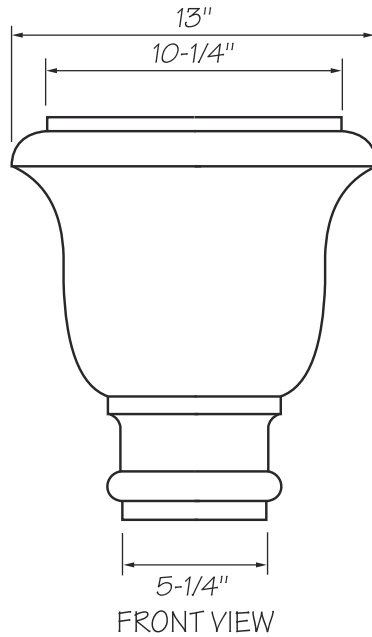
Our leaderheads are handmade to order and available in copper, lead-coated copper or galvanized steel. Each unit is fully soldered (no rivets). Included is an outlet to your size requirements or a solid bottom.



TOP VIEW



SIDE VIEW



FRONT VIEW

**PRODUCT SPECIFICATIONS:**

OUTLET SIZING (CHECK ONE)

- 2" RND DOWNSPOUT
- 3" RND DOWNSPOUT
- 2" x 3" REC DOWNSPOUT
- 3" x 4" REC DOWNSPOUT
- BLANK BOTTOM PLATE

**AVAILABLE MATERIALS:**

(CHECK ONE)

**COPPER**

ASTM B370, ALLOY 110,  
BURNISHED SATIN FINISH

**LEAD-COATED COPPER**

ASTM B101, MILL FINISH

**GALVANIZED STEEL**

ASTM A653 26GA,  
ASTM D2092 MILL  
PHOSPHATIZED FINISH  
READY FOR PAINT

**INSTALLATION:**

**OTHER INFORMATION:**

CUSTOM SIZES AVAILABLE  
UPON REQUEST.

**NOTE:** Be sure to specify outlet size when ordering.