

THE VERDE LEADERHEAD

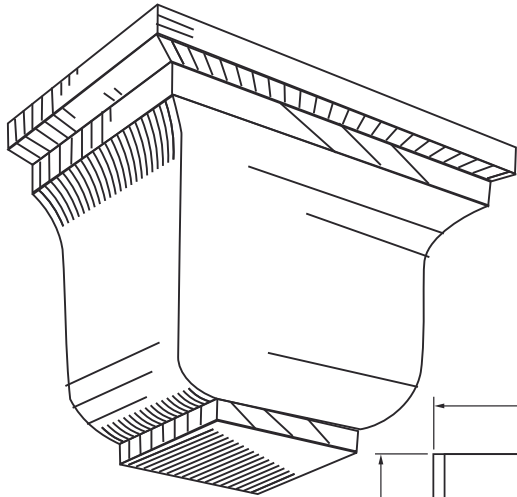


800-500-8660

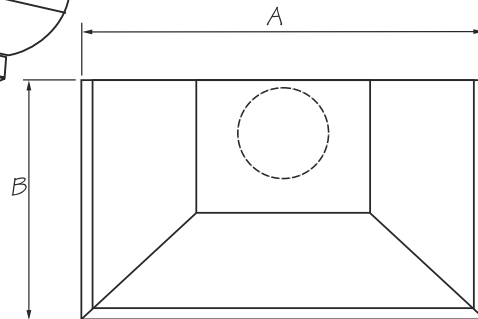
562-634-3101

FAX:562-634-8823

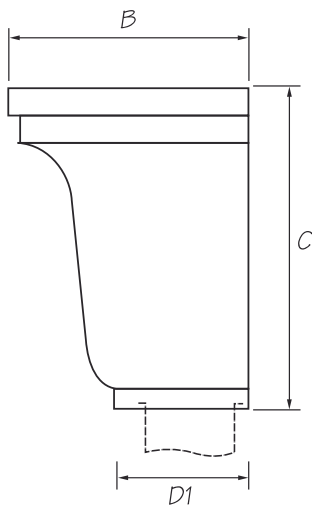
WWW.CJMetals.com



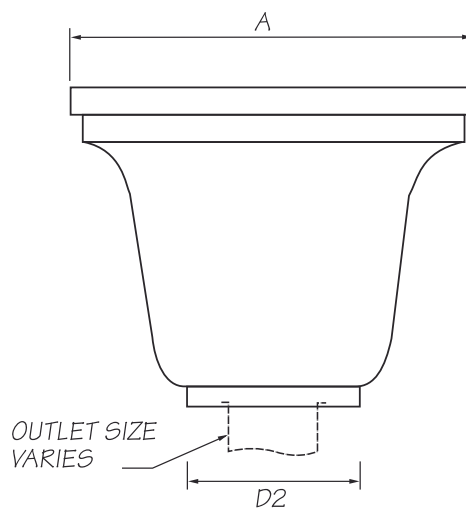
Our leaderheads are handmade to order and available in copper, lead-coated copper or galvanized steel. Each unit is fully soldered (no rivets). Included is an outlet to your size requirements or a solid bottom.



TOP VIEW



SIDE VIEW



FRONT VIEW

OUTLET SIZE VARIES

NOTE: Be sure to specify outlet size when ordering.

**PRODUCT SPECIFICATIONS:**

OUTLET SIZING (CHECK ONE)

- 2" RND DOWNSPOUT
- 3" RND DOWNSPOUT
- 4" RND DOWNSPOUT
- 5" RND DOWNSPOUT
- 6" RND DOWNSPOUT
- 3" x 4" REC DOWNSPOUT
- 4" x 4" REC DOWNSPOUT
- 4" x 6" REC DOWNSPOUT
- BLANK BOTTOM PLATE

**AVAILABLE MATERIALS:**

(CHECK ONE)

**COPPER**

ASTM B370, ALLOY 110, BURNISHED SATIN FINISH

**LEAD-COATED COPPER**

ASTM B101, MILL FINISH

**GALVANIZED STEEL**

ASTM A653 26GA, ASTM D2092 MILL PHOSPHATIZED FINISH  
READY TO PAINT

**INSTALLATION:**

**OTHER INFORMATION:**

PATTERN SIZES (CHECK ONE)

	A	B	C	D1	D2
<input type="checkbox"/> VB	12 <sup>1/2</sup> "	8 <sup>3/4</sup> "	13 <sup>3/8</sup> "	4 <sup>5/8</sup> "	4 <sup>5/8</sup> "
<input type="checkbox"/> VC	14"	10"	16"	4"	4"
<input type="checkbox"/> VD	12 <sup>3/4</sup> "	7 <sup>1/4</sup> "	8 <sup>3/4</sup> "	4 <sup>3/8</sup> "	3 <sup>3/8</sup> "
<input type="checkbox"/> VE	15"	9"	12"	6 <sup>1/2</sup> "	5"