

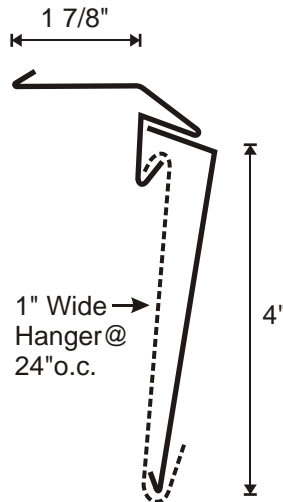
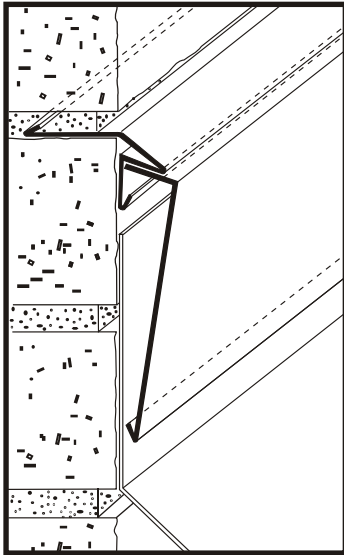


REGLET SYSTEMS

For more than 40 years C & J Metal Products has produced a wide range of reglet systems for the roofing and waterproofing industries. These outstanding moisture prevention products provide superior protection for a variety of roofing applications.

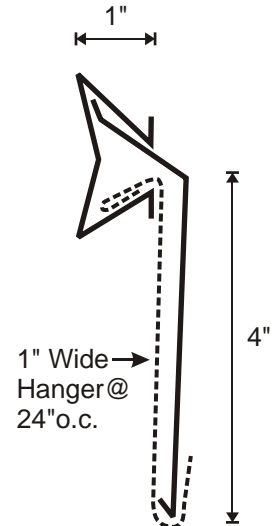
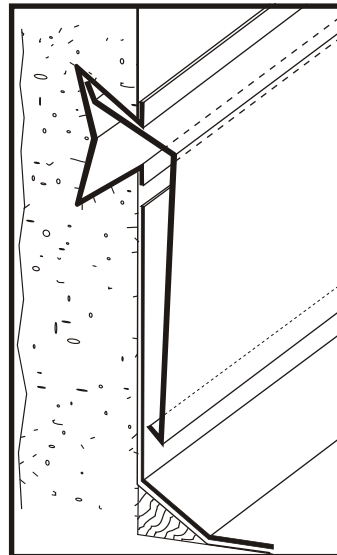
BRICK REGLET

This reglet, designed for masonry applications is set into joints and held in place as the mortar cures. Removable counter flashing is inserted and held in place with rugged reusable clips.



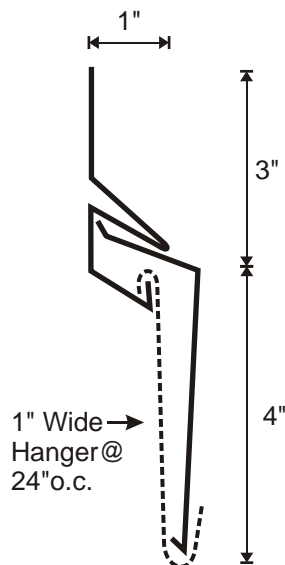
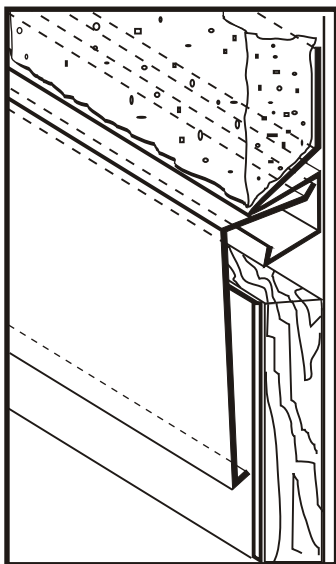
CONCRETE REGLET

This reglet is designed to be installed into poured-in-place concrete construction. Face of reglet is covered with protective tape to prevent grout from getting into reglet. Removable counter flashing is inserted and held in place with rugged reusable clips.



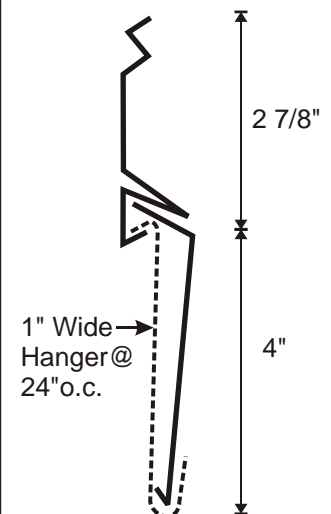
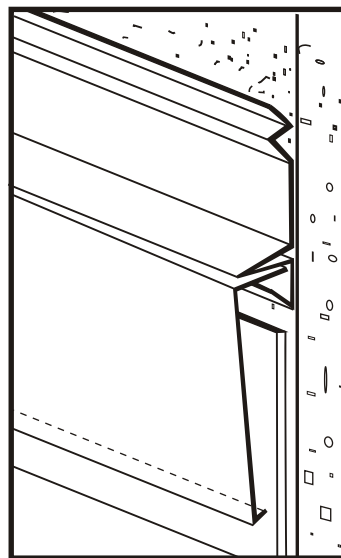
STUCCO REGLET

This reglet is made especially for stucco applications and includes a termination edge that permits stucco to be applied directly over reglet. Removable counter flashing is inserted and held in place with rugged reusable clips.



TILT-UP REGLET

This reglet is designed for surface mounting. Sealant applied along bead lip protects against water penetration. Removable counter flashing is inserted and held in place with rugged reusable clips.



06-05