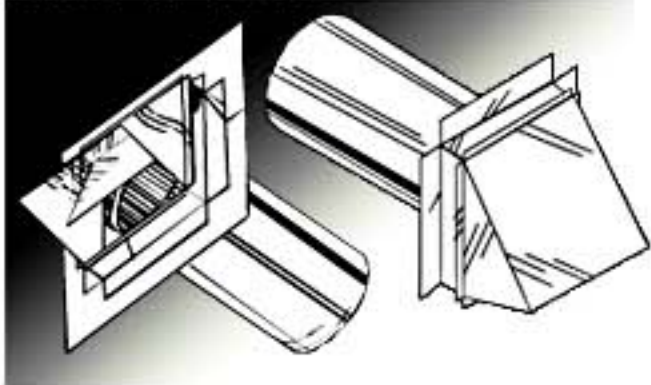
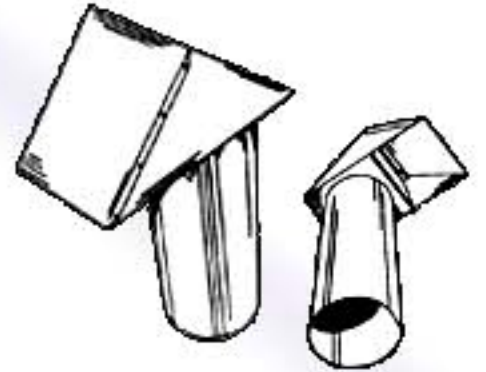


**C**omplete Selection of Residential  
Air-Flow Solutions

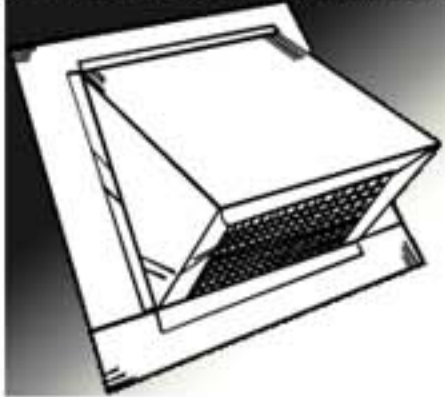
## DRYER VENTS



Hooded Dryer Exhaust Vent available in Standard and Wide Flange is designed for side wall applications. Built-in concealed damper stays closed when not in use. All steel construction assures lasting performance and durability.



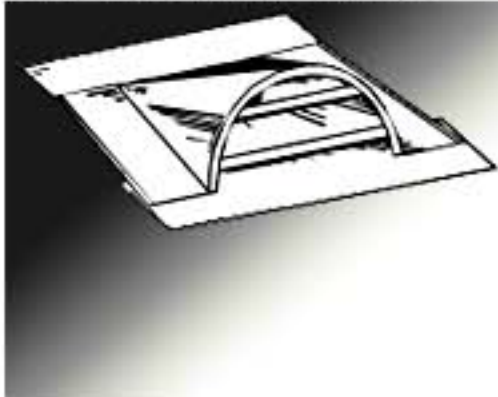
## EYEBROW WALL CAPS



Wide Flange ventilating product designed for horizontal discharge. Commonly used in conjunction with kitchen, shower area, or bathroom venting to the exterior.



## DORMER VENTS



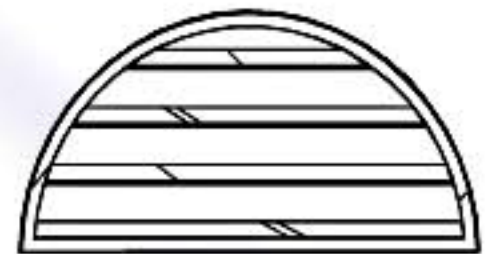
Square Tail ventilating product designed for use with S-type or clay tile roofing material products. All-pitch design allows air movement and combustion release in conjunction with attic cavity ventilating system. Can be used on roofs with slope from 3:12 to 6:12 pitch.



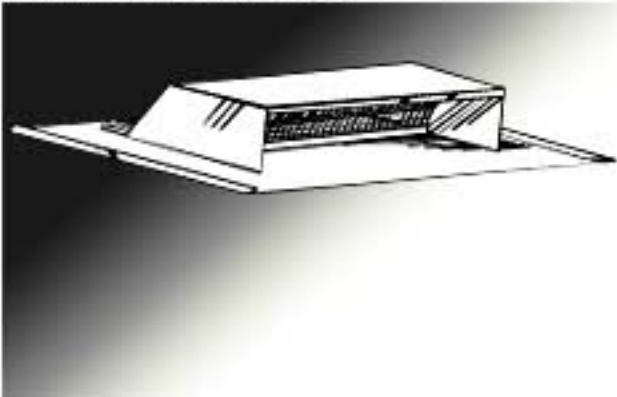
## LOUVER VENTS



The Rectangular Louver Vent is a fixed-blade ventilating product designed for vertical wall installation. Allows air movement and combustion release at attic and wall space.



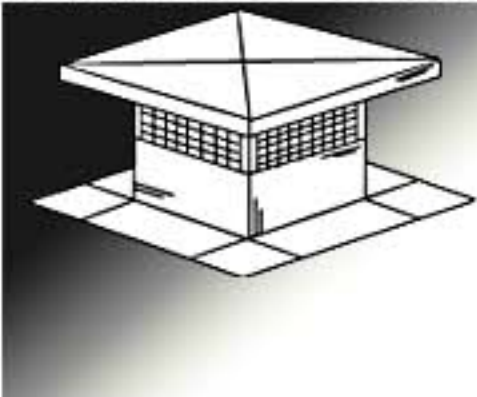
## AIR INTAKES



Standard Air Intake ventilating product is designed for sloped roof installation. All-pitch design (0 to 6:12 slope) allows air movement and combustion release in conjunction with attic cavity ventilating.



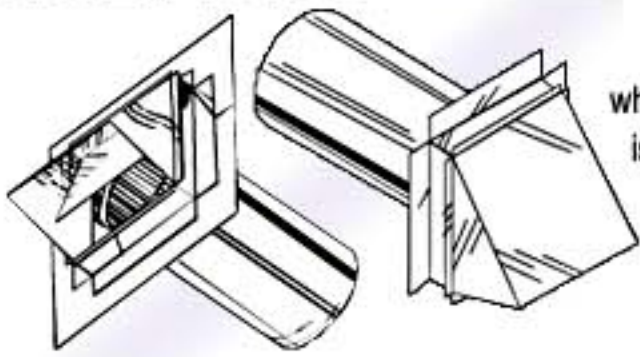
## FLAT ROOF JACK



Ventilating product designed for flat roof installation. Allows air movement and combustion release in conjunction with attic cavity ventilating system.

*Complete Selection of Residential  
Air-Flow Solutions*

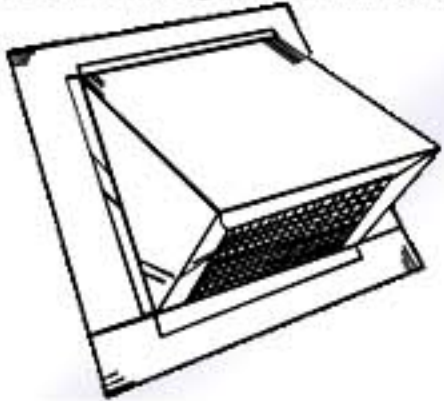
**DRYER VENTS**



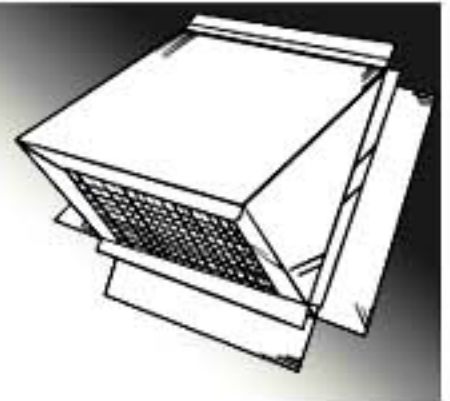
Vertical Dryer Vent product designed for roof top venting where standard thru-wall discharge is not available. Built in concealed damper stays closed when not in use. All steel construction assures lasting performance and durability.



**EYEBROW WALL CAPS**



Standard Flange ventilating product designed for horizontal discharge. Commonly used in conjunction with kitchen, shower area, or bathroom venting to the exterior.



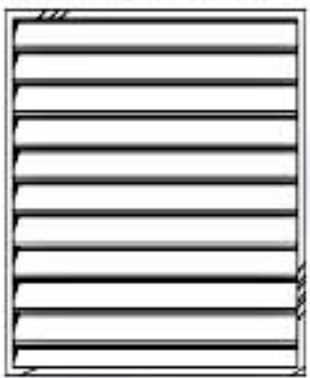
**DORMER VENTS**



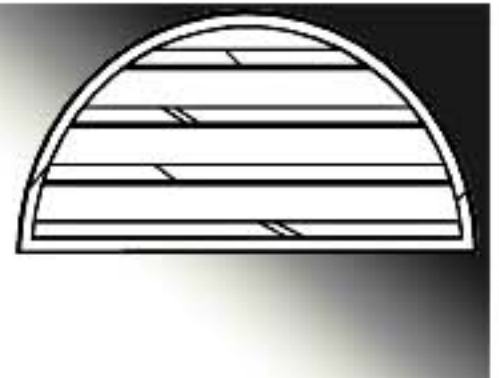
Pointed Tail Dormer ventilating product designed for sloped roof installation. All-pitch design allows air movement and combustion release in conjunction with attic cavity ventilating system. Can be used on roofs with slope from 3:12 to 6:12 pitch.



**LOUVER VENTS**



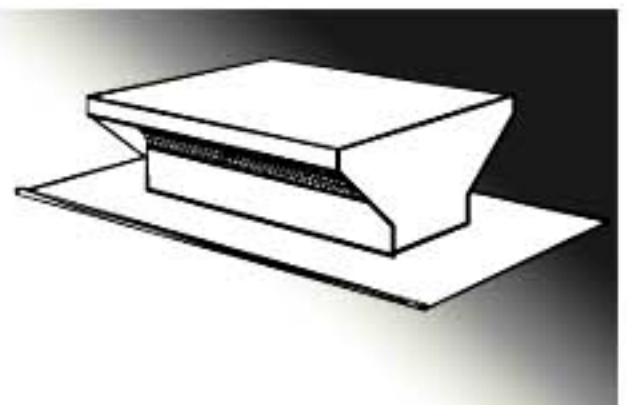
The Half Round Louver Vent is a fixed-blade ventilating product designed for vertical wall installation. Allows air movement and combustion release at attic and wall space.



**AIR INTAKES**



Low Profile Air Intake ventilating product designed for flat roof installation. Allows air movement and combustion release in conjunction with attic cavity ventilating system.



**FLAT ROOF JACK**

