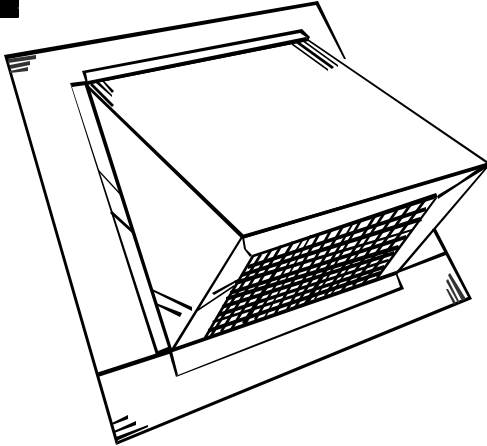




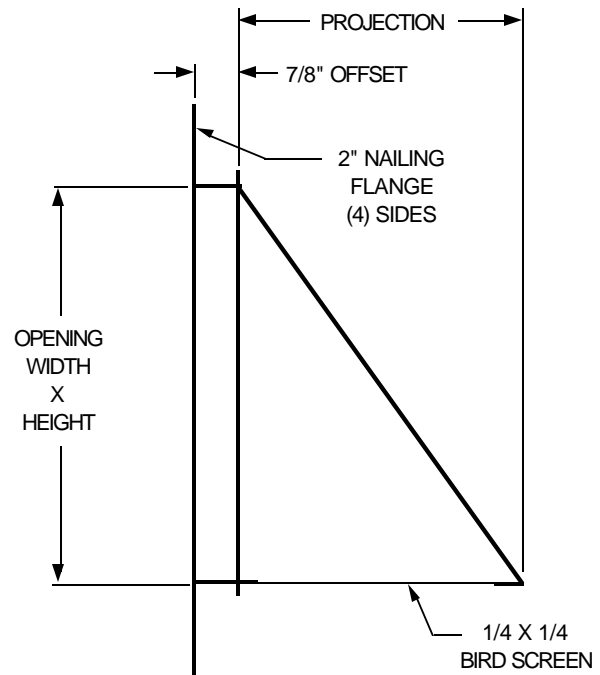
## PRODUCT DATA

# EYEBROW WALL CAP WIDE FLANGE



Ventilating product designed for horizontal discharge. Commonly used in conjunction with kitchen, shower area, or bathroom venting to the exterior.

STYLE NO.	VENT WIDTH	VENT HEIGHT	PROJECTION OUT	FREE AREA
WC0404ACF	4"	4"	3.75"	7.2"
WC0804ACF	8"	4"	4.25"	17.1"
WC0808ACF	8"	8"	5.75"	28.0"
WC1010ACF	10"	10"	10.25"	71.1"
WC1104ACF	11"	4"	4"	27.1"



SECTION DETAIL

### STANDARD METALS

- Standard 28GA Galvanized Steel 28GA.
- Paint-ready 28GA Phosphate Bonderized Steel 28GA.
- 4 x 4 23GA Galvanized Hardware Cloth.
- Other gauges, sizes, materials available.

### TECHNICAL DATA

- ASTM A653/A653M -G90 hot dipped galvanized steel, 28GA standard.
- ASTM A653/A653M -G90 hot dipped galvanized steel, 28GA standard, ASTM D-2092-95 mill phosphatized
- .025 x .025 hot dipped galvanized coated wire bird screen.

### INSTALLATION

Before installing, ensure that the substrate is uniform, and even. Do not install C & J Sheet Metal Venting Products on uneven substrate.

Installation shall be made in accordance with recognized sheet metal practices. SMACNA (Sheet Metal and Air Conditioning Contractors National Association) Architectural Manual specifications shall be used as guide and basis for detail whenever applicable.

C & J Sheet Metal Venting Products can be nailed or riveted using conventional hand or power tools. Flashings shall be properly fastened to the substrate by means of wood or metal screws. When fastening dissimilar metals the use of stainless steel is recommended. Use of neoprene washers or similar gasketing material is acceptable.

Jan-00